



PROTECT

combined with active carbon



715623

FH260



CA

WANT TO KNOW MORE?



www.valeo-techassist.com

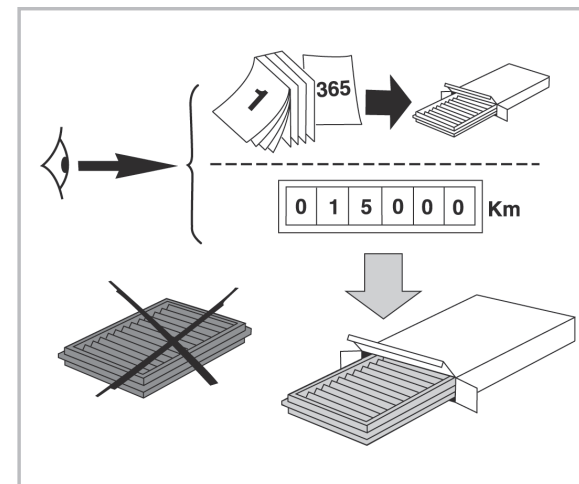
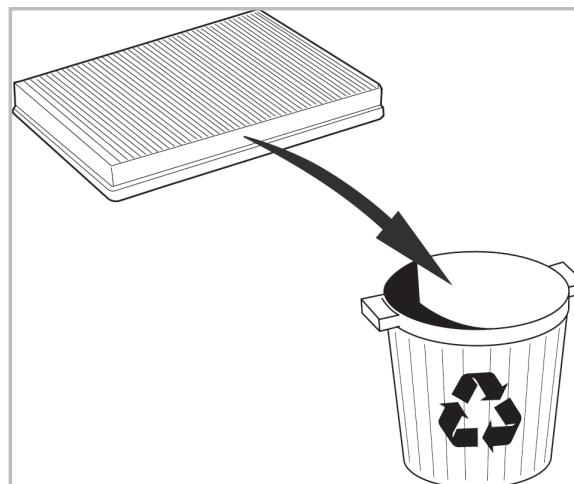
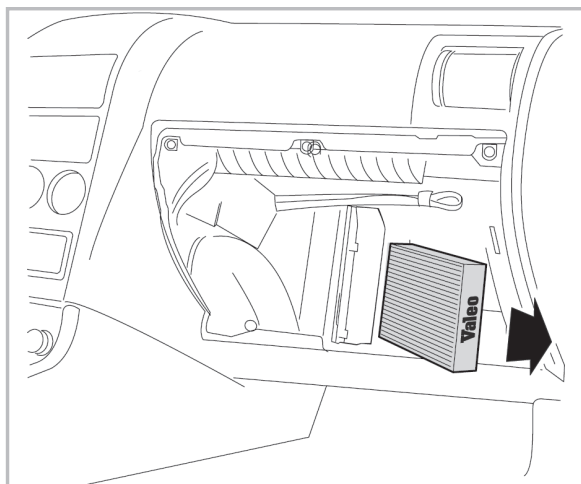
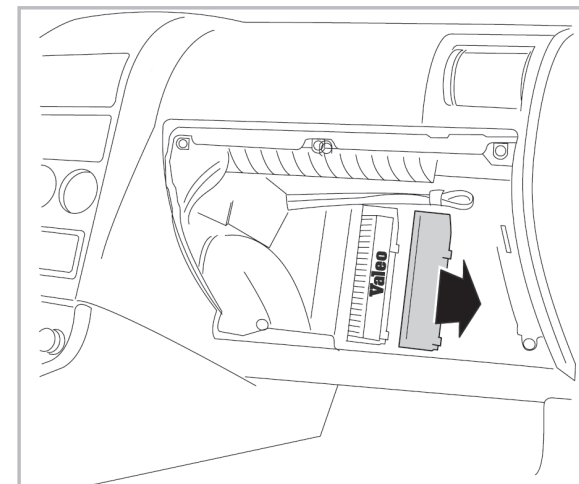
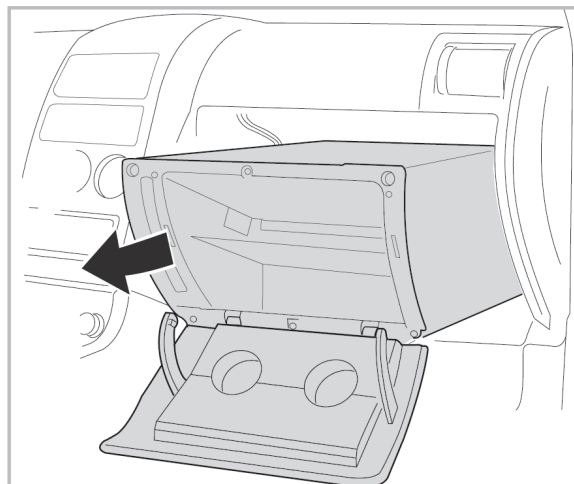
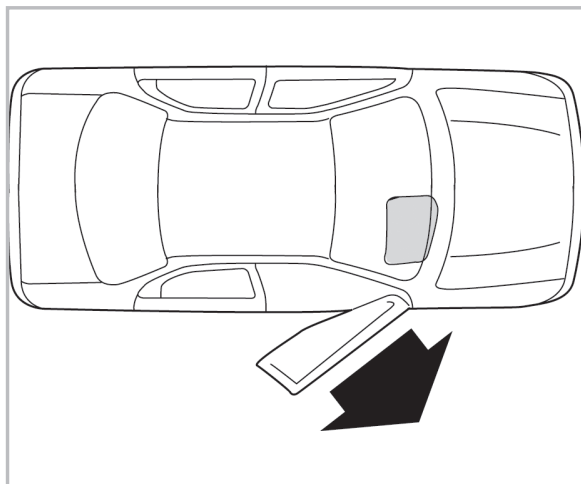
FOR

MITSUBISHI

LANCER VIII (10/07 >) / **AIRTREK II A/C+** (06/05 >) / **OUTLANDER II A/C+** (03/07 >) / **ASX A/C+/-** (04/10 >) / **LANCER IX A/C+/-** (04/11 >)

PEUGEOT

4008 A/C+ (04/12 >)



Valeo Service - Société par Actions simplifiée - Capital de 12 900 000€ - 70, rue Playel, 93285 Saint-Denis Cedex - France - B 306 486 408 RCS Bobigny